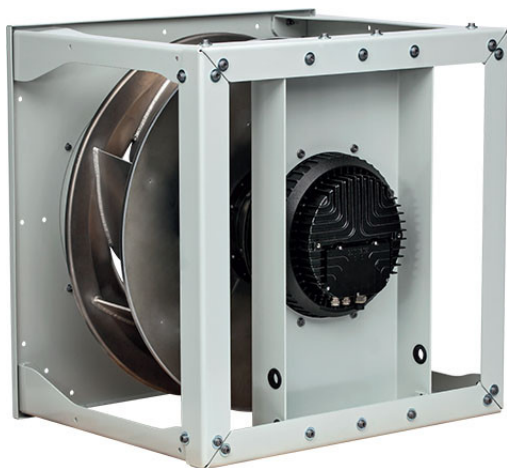




K3G900-AS08-01 RadiPac

Kammiopuhallin



Tehokas kammiopuhallin EC-moottorilla ja integroidulla elektroniikalla. Yhdeltä puolelta imevä, taaksepäin kaartuvin siivin. Kuutiorakenne. Imukartiossa on K-arvon mittausyhde. Helppo asentaa, huoltovapaa käytössä. Asennuksessa on käytettävä tärinäeristimiä ja joustoliitintä - kysy myynnistä.

Tekniset tiedot

Kuvaus	Kammiopuhallin
Jännite	3~400 VAC
Taajuus	50/60 Hz
Teho	8,7 kW
Maksimivirta	13,5 A
Kierrosluku	1050 rpm
Ilmavirta	9844.00 l/s
Ilmavirta	35440.0 m3/h
Imukartion K-arvo	250 l/s
Käyttölämpötila-alue	-25..+40°C
Moottorin malli	Elektronisesti kommutoitu ulkorootorimoottori integroidulla säätöelektroniikalla. Ohjaus 0-10 V signaalilla.
Moottorisuoja / Suoja	Integroitu
Suojausluokka	IP54
Moottorin eristysluokka	F
Paino	232.0 kg
LVI Numero	8025240
Tuotenumero	K3G900AS0801

Katso päivitetty tiedot netistä www.ebmpapst.fi

Tarvikkeet K3G900-AS08-01 RadiPac

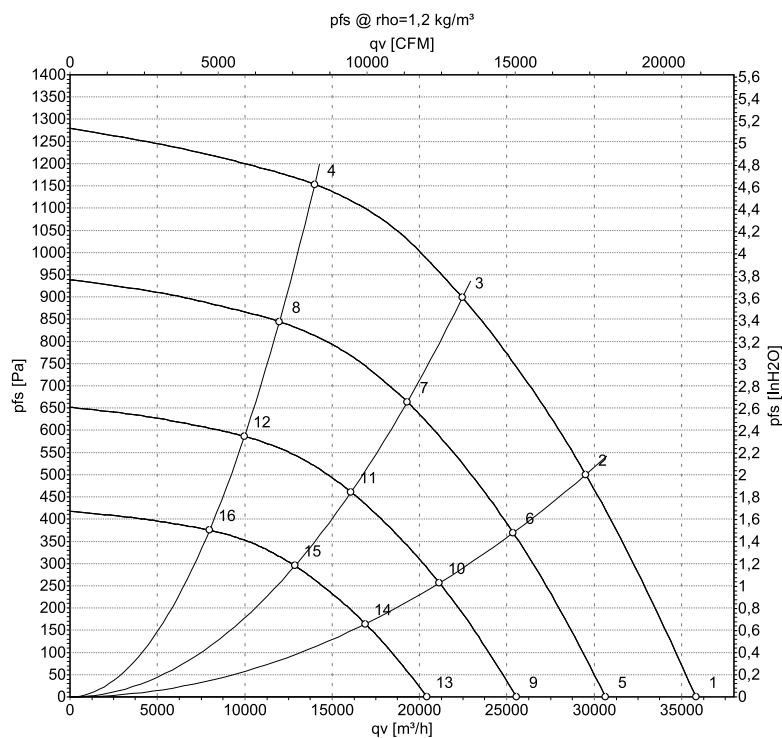
Nimitys	Tuotenumero	Tiedot
DPT1000-R4	4615201	Paineanturi, jolla mitataan paineen eroa
RM-ECi	358-RMECI	Yleissäädin potentiometri
RM-ECs	RM-ECs	Yleissäädin potentiometri
RM-ECv	358-RMECV	Yleissäädin potentiometri
Paine-ero- ja virtausmittari	DPC200-EP500	Paine-ero- ja virtausmittari nopeussäätimellä
CCC000AD0602	CCC000AD0602	Digitaalinen yleissäädin



K3G900-AS08-01 RadiPac

Kammio puhallin

Ominaiskäyrä



Measurement: LU-146118

Air performance measured according to ISO 5801 installation category A. For detailed information on the measurement setup, contact ebm-papst. Intake sound level: Sound power level according to ISO 13347 / sound pressure level measured at 1 m distance from fan axis. The values given are valid under the specified measuring conditions and may vary due to conditions of installation. For deviations from the standard configuration, the parameters have to be checked on the installed unit.

Measured values

	U	f	n	P _{ed}	I	LpA _{in}	LwA _{in}	LwA _{out}	qv	p _{fs}
	V	Hz	min ⁻¹	W	A	dB(A)	dB(A)	dB(A)	m ³ /h	Pa
1	400	50	1050	5307	8.44	90	99	102	35820	0
2	400	50	1050	7478	11.61	82	90	95	29520	500
3	400	50	1050	8700	13.50	78	86	90	22450	900
4	400	50	1050	8037	12.41	79	87	91	14005	1150
5	400	50	900	3323	5.29	86	95	98	30645	0
6	400	50	900	4746	7.37	78	87	91	25370	371
7	400	50	900	5486	8.46	74	82	86	19300	664
8	400	50	900	5034	7.77	75	83	87	11985	847
9	400	50	750	1923	3.06	82	90	94	25540	0
10	400	50	750	2747	4.26	73	82	86	21140	257
11	400	50	750	3175	4.90	69	78	82	16080	461
12	400	50	750	2913	4.50	70	79	83	9985	588
13	400	50	600	985	1.57	76	84	88	20430	0
14	400	50	600	1406	2.18	68	76	81	16915	165
15	400	50	600	1626	2.51	64	72	76	12865	295
16	400	50	600	1492	2.30	65	73	77	7990	376

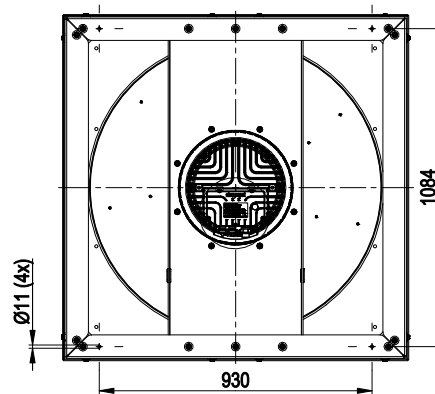
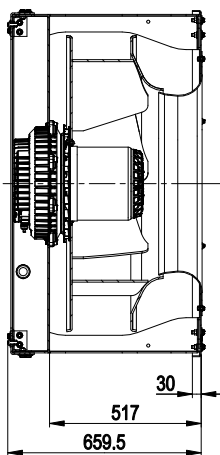
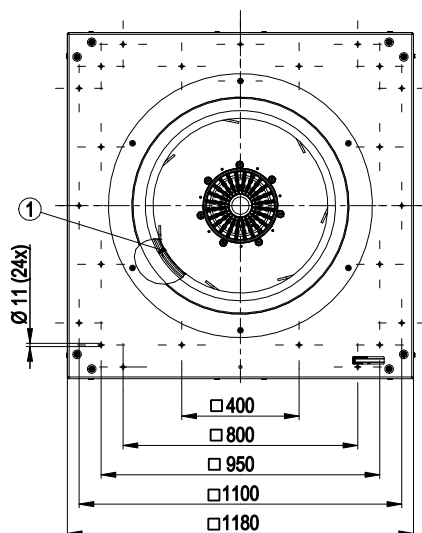
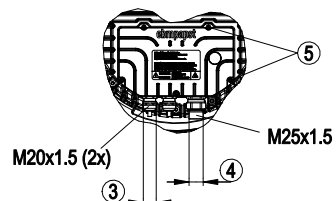
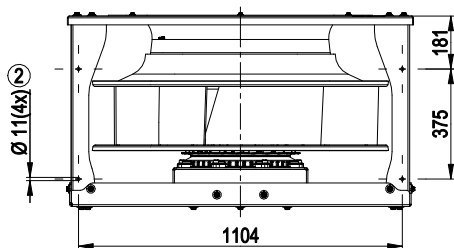
U = Power supply · f = Frequency · n = Speed · P_{ed} = Power consumption · I = Current draw · LpA_{in} = Sound pressure level intake side · LwA_{in} = Sound power level intake side
LwA_{out} = Sound power level outlet side · qv = Air flow · p_{fs} = Pressure increase



K3G900-AS08-01 RadiPac

Kammio puhallin

Piirros



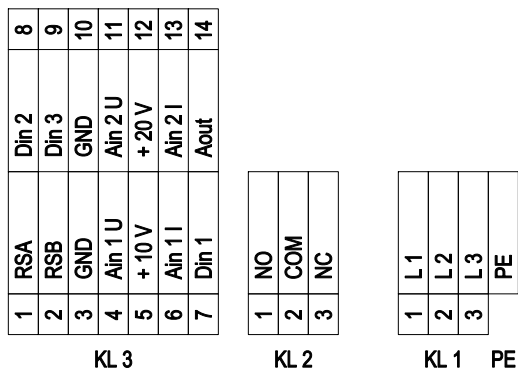
1	Inlet ring with pressure tap (k-factor: 900)
2	Mounting position for vibration-absorbing elements
3	Cable diameter min. 5 mm, max. 13 mm; tightening torque 6 ± 0.9 Nm
4	Cable diameter min. 16 mm, max. 20.5 mm, tightening torque 6 ± 0.9 Nm
5	Tightening torque 3.5 ± 0.5 Nm



K3G900-AS08-01 RadiPac

Kammio puhallin

Kytentäkaavio



No.	Conn.	Designation	Function/assignment
KL 1	1	L1	Supply connection, power supply 3-phase 380-480 VAC, 50/60 Hz
KL 1	2	L2	Supply connection, power supply 3-phase 380-480 VAC, 50/60 Hz
KL 1	3	L3	Supply connection, power supply 3-phase 380-480 VAC, 50/60 Hz
PE		PE	Ground connection, PE connection
KL 2	1	NO	Status relay, floating status contact, make for failure
KL 2	2	COM	Status relay, floating status contact; changeover contact; common connection; contact rating 250 VAC / max. 2 A (AC1) / min. 10 mA
KL 2	3	NC	Status relay, floating status contact, break for failure
KL 3	1	RSA	Bus connection RS485, RSA, MODBUS RTU
KL 3	2	RSB	Bus connection RS485, RSA, MODBUS RTU
KL 3	3 / 10	GND	Reference ground for control interface
KL 3	4	Ain1 U	Analog input 1 (set value), 0-10 V, Ri = 100 kΩ, adjustable curves, only usable as alternative to input Ain1I
KL 3	5	+ 10 V	Fixed voltage output 10 VDC, +10 V ±3%; max. 10 mA; short-circuit-proof; power supply for external devices (e.g. pot)
KL 3	6	Ain1 I	Analog input 1 (set value), 4-20 mA, Ri = 100 Ω, adjustable curves, only usable as alternative to input Ain1U
KL 3	7	Din1	Digital input 1: enable electronics, enable: pin open or applied voltage 5...50 VDC; disable: bridge to GND or applied voltage < 1 VDC; reset function: triggers software reset after a level change to < 1 V
KL 3	8	Din2	Digital input 2: Switching parameter sets 1/2; according to EEPROM setting, the valid or used parameter set can be selected via bus or via digital input DIN2. Parameter set 1: pin open or applied voltage 5-50 VDC; parameter set 2: bridge to GND or applied voltage < 1 VDC
KL 3	9	Din3	Digital input 3: according to EEPROM setting, the integrated controller's direction of action can be selected as normal/inverse via bus or digital input; normal: pin open or applied voltage 5-50 VDC inverse: bridge to GND or applied voltage < 1 VDC
KL 3	11	Ain2 U	Analog input 2, measured value 0-10 V, Ri = 100 kΩ, adjustable curve, only usable as alternative to input Ain2I
KL 3	12	+ 20 V	Fixed voltage output 20 VDC, 20 V +25/-10%, max. 50 mA, short-circuit-proof power supply for external devices (e.g. sensors)
KL 3	13	Ain2 I	Analog input 2, measured value: 4-20 mA, Ri = 100 Ω, adjustable curve, only usable as alternative to input Ain2U
KL 3	14	Aout	Analog output 0-10 V, max. 5 mA, output of current motor modulation level / of the current motor speed. Adjustable curve.

Yhteystiedot

ebm-papst Oy

Puistotie 1

02760 Espoo

Puh. (09) 8870 220

Fax (09) 8870 2213

mailbox@ebmpapst.fi

www.ebmpapst.fi