



K3G900-AR10-01 RadiPac

Kammiopuhallin



Tehokas kammiopuhallin EC-moottorilla ja integroidulla elektroniikalla. Yhdeltä puolelta imevä, taaksepäin kaartuvin siivin. Kuutiorakenne. Imukartiossa on K-arvon mittausyhde. Helppo asentaa, huoltovapaa käytössä. Asennuksessa on käytettävä tärinäeristimiä ja joustoliitintä - kysy myynnistä.

Tekniset tiedot

Kuvaus	Kammiopuhallin
Jännite	3~400 VAC
Taajuus	50/60 Hz
Teho	7,52 kW
Nimellisvirta	11,5 A
Kierrosluku	860 rpm
Ilmavirta	10954.00 l/s
Ilmavirta	39435.0 m3/h
Imukartion K-arvo	250 l/s
Käyttölämpötila-alue	-40..+40°C
Moottorin malli	Elektronisesti kommutoitu ulkorotoorimoottori integroidulla säätöelektroniikalla. Ohjaus 0-10 V signaalilla.
Moottorisuoja / Suoja	Integroitu
Suojausluokka	IP54
Moottorin eristysluokka	F
Paino	222.0 kg
LVI Numero	8025239
Tuotenumero	K3G900AR1001

Katso päivitetetyt tiedot netistä www.ebmpapst.fi

Tarvikkeet K3G900-AR10-01 RadiPac

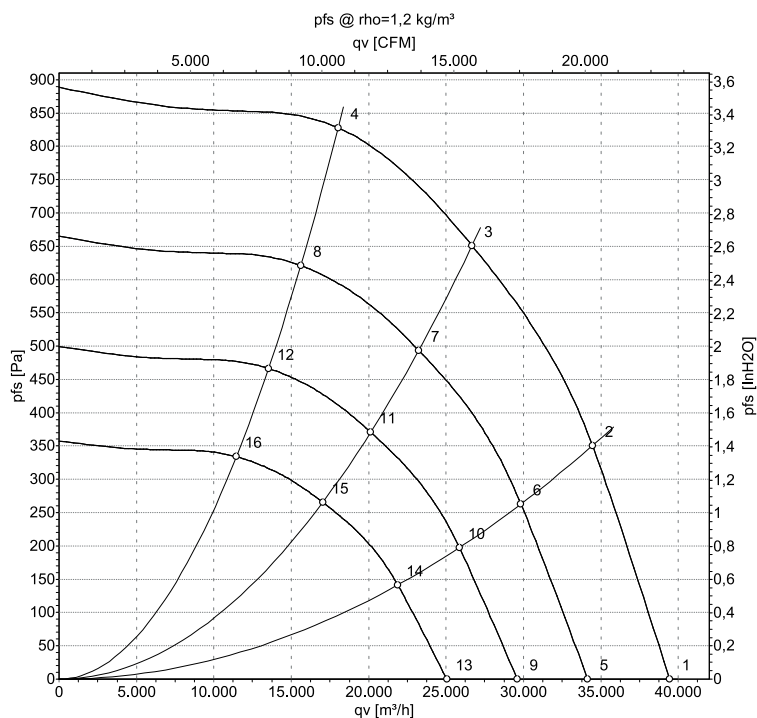
Nimitys	Tuotenumero	Tiedot
DPT1000-R4	4615201	Paineanturi, jolla mitataan paineen eroa
RM-ECi	358-RMECI	Yleissäädin potentiometri
RM-ECs	RM-ECs	Yleissäädin potentiometri
RM-ECv	358-RMECV	Yleissäädin potentiometri
Paine-ero- ja virtausmittari	DPC200-EP500	Paine-ero- ja virtausmittari nopeussäätimellä
CCC000AD0602	CCC000AD0602	Digitaalinen yleissäädin



K3G900-AR10-01 RadiPac

Kammio puhallin

Ominaiskäyrä



Measurement: LU-140209

Air performance measured as per ISO 5801 Installation category A. For detailed information on the measuring set-up, please contact ebm-papst. Suction-side noise levels: LwA measured as per ISO 13347 / LpA measured with 1m distance to fan axis. The values given are valid under the measuring conditions mentioned above and may vary according to the actual installation situation. With any deviation from the standard set-up, the specific values have to be checked and reviewed with the unit installed.

Measured values

	U	f	n	P _{ed}	I	LpA _{in}	LwA _{in}	LwA _{out}	qv	p _{fs}
	V	Hz	min ⁻¹	W	A	dB(A)	dB(A)	dB(A)	m ³ /h	Pa
1	400	50	860	5028	7.72	82	92	96	39435	0
2	400	50	860	6750	10.33	77	87	91	34455	350
3	400	50	860	7520	11.50	73	82	86	26670	650
4	400	50	860	7015	10.72	72	81	86	18025	825
5	400	50	750	3266	5.01	78	89	92	34150	0
6	400	50	750	4380	6.70	73	83	87	29835	264
7	400	50	750	4971	7.60	69	79	83	23230	494
8	400	50	750	4557	6.96	69	78	83	15615	621
9	400	50	650	2126	3.26	75	85	89	29600	0
10	400	50	650	2851	4.36	70	79	84	25855	198
11	400	50	650	3236	4.94	66	75	79	20130	371
12	400	50	650	2966	4.53	65	74	79	13530	467
13	400	50	550	1288	1.98	70	81	84	25045	0
14	400	50	550	1727	2.64	66	75	79	21880	142
15	400	50	550	1960	3.00	62	71	75	17035	266
16	400	50	550	1797	2.75	61	70	75	11450	334

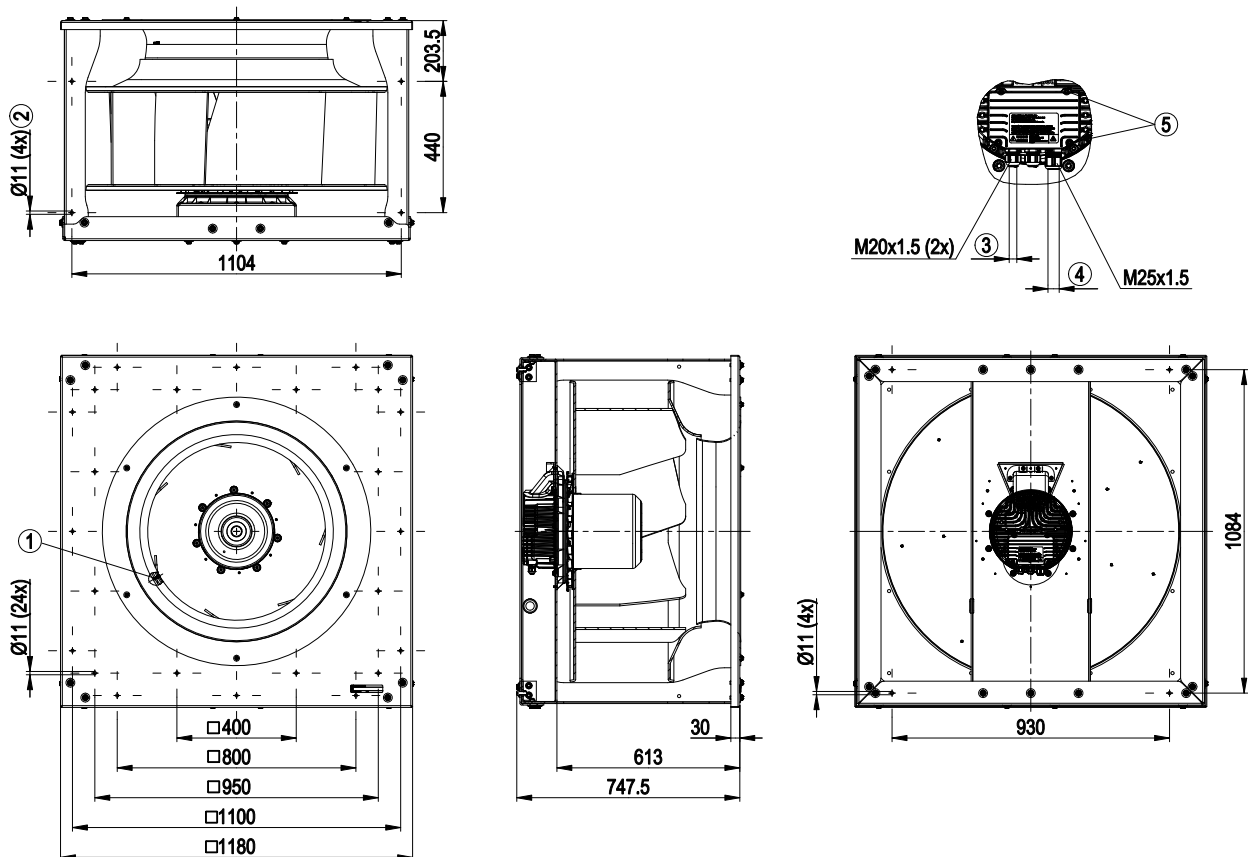
U = Supply voltage · f = Frequency · n = Speed · P_{ed} = Power input · I = Current draw · LpA_{in} = Sound pressure level inlet side · LwA_{in} = Sound power level inlet side · LwA_{out} = Sound power level outlet side
qv = Air flow · p_{fs} = Pressure increase



K3G900-AR10-01 RadiPac

Kammiopuhallin

Piirros



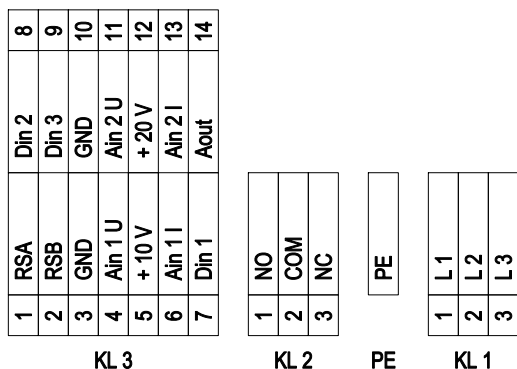
- | | |
|---|--|
| 1 | Inlet nozzle with bleeder connection for pressure relief (k-factor: 900) |
| 2 | Screw-on position for vibration-absorbing elements |
| 3 | Cable diameter: min. 4 mm, max. 10 mm, tightening torque: 4 ± 0.6 Nm |
| 4 | Cable diameter: min. 9 mm, max. 16 mm, tightening torque: 6 ± 0.9 Nm |
| 5 | Tightening torque 3.5 ± 0.5 Nm |



K3G900-AR10-01 RadiPac

Kammio puhallin

Kytentäkaavio



No.	Conn.	Designation	Function / assignment
KL 1	1	L1	Mains supply connection, supply voltage 3~380-480 VAC; 50/60 Hz
KL 1	2	L2	Mains supply connection, supply voltage 3~380-480 VAC; 50/60 Hz
KL 1	3	L3	Mains supply connection, supply voltage 3~380-480 VAC; 50/60 Hz
PE		PE	Earth connection, PE connection
KL 2	1	NO	Status relay, floating status contact; normally open; close with error
KL 2	2	COM	Status relay; floating status contact; changeover contact; common connection; contact rating 250 VAC / max. 2 A (AC1) / min. 10 mA
KL 2	3	NC	Status relay, floating status contact; break with error
KL 3	1	RSA	Bus connection RS-485, RSA, MODBUS RTU; SELV
KL 3	2	RSB	Bus connection RS-485, RSB, MODBUS RTU; SELV
KL 3	3 / 10	GND	Signal ground for control interface; SELV
KL 3	4	Ain1 U	Analogue input 1, set value: 0-10 V, Ri = 100 kΩ, parametrisable curve, only usable as alternative to input Ain1; SELV
KL 3	5	+ 10 V	Fixed voltage output 10 VDC, +10 V ±3%, max. 10 mA, short-circuit-proof, power supply for external devices (e.g. potentiometer); SELV
KL 3	6	Ain1 I	Analogue input 1, set value: 4-20 mA; Ri = 100 Ω, parametrisable curve, only usable as alternative to input Ain1 U; SELV
KL 3	7	Din1	Digital input 1: enabling of electronics, enabling: open pin or applied voltage 5-50 VDC disabling: bridge to GND or applied voltage <1 VDC reset function: triggers software reset after a level change to <1 VDC; SELV
KL 3	8	Din2	Digital input 2: parameter set switch 1/2, according to EEPROM setting, the valid/used parameter set can be selected via bus or via digital input DIN2. Parameter set 1: open pin or applied voltage 5-50 VDC Parameter set 2: bridge to GND or applied voltage <1 VDC; SELV
KL 3	9	Din3	Digital input 3: controller function of integrated controller, according to EEPROM setting, the controller function of the integrated controller is normally/inversely selectable per bus or per digital input normal: open pin or applied voltage 5-50 VDC inverse: bridge to GND or applied voltage <1 VDC; SELV
KL 3	11	Ain2 U	Analogue input 2, actual value: 0-10 V, Ri = 100 kΩ, parametrisable curve, only usable as alternative to input Ain2; SELV
KL 3	12	+ 20 V	Fixed voltage output 20 VDC, +20 V +25/-10%, max. 50 mA, short-circuit-proof, power supply for external devices (e.g. sensors); SELV
KL 3	13	Ain2 I	Analogue input 2, actual value: 4-20 mA, Ri = 100 Ω, parametrisable curve, only usable as alternative to input Ain2 U; SELV
KL 3	14	Aout	Analogue output 0-10 VDC, max. 5 mA, output of the current motor level control coefficient / motor speed parametrisable curve; SELV



K3G900-AR10-01 RadiPac

Kammio puhallin

Yhteystiedot

ebm-papst Oy

Puistotie 1

02760 Espoo

Puh. (09) 8870 220

Fax (09) 8870 2213

mailbox@ebmpapst.fi

www.ebmpapst.fi