

ebmpapst

engineering a better life

Centrifugal fan *with a new look.*

The RadiPac C Perform.

The new RadiPac C Perform owes its name to its outstanding performance and exceptional shape. The "C" stands for the innovative impeller made of composite material and "Perform" for maximum overall efficiency.

The fan is based on the latest RadiPac technology, supplemented by a housing made of four aerodynamically shaped, sendzimir galvanized sheet steel segments designed to further reduce flow losses. As a result, the RadiPac C Perform achieves a more than 4% points higher efficiency – once again setting the benchmark, no matter which way you spin it.

Key facts at a glance:

- Efficiency gains of more than 4% points
- Air flows of up to 20,000 m³/h and
- Pressures of more than 2,000 Pa
- Unchanged mounting hole pattern
- New high-performance electronics
- FlowGrid compatible



ebm-papst is continuously developing its popular RadiPac series, as demands on the energy efficiency of ventilation and air-conditioning systems are constantly increasing – not only from legislators, but also from environmentally conscious customers.

With the RadiPac C Perform, ebm-papst's engineers have succeeded in increasing efficiency once again – by more than 4% points, depending on the power range and installation situation. This can deliver significant cost savings and a reduction in the carbon footprint, particularly in the case of fans with long operating times.

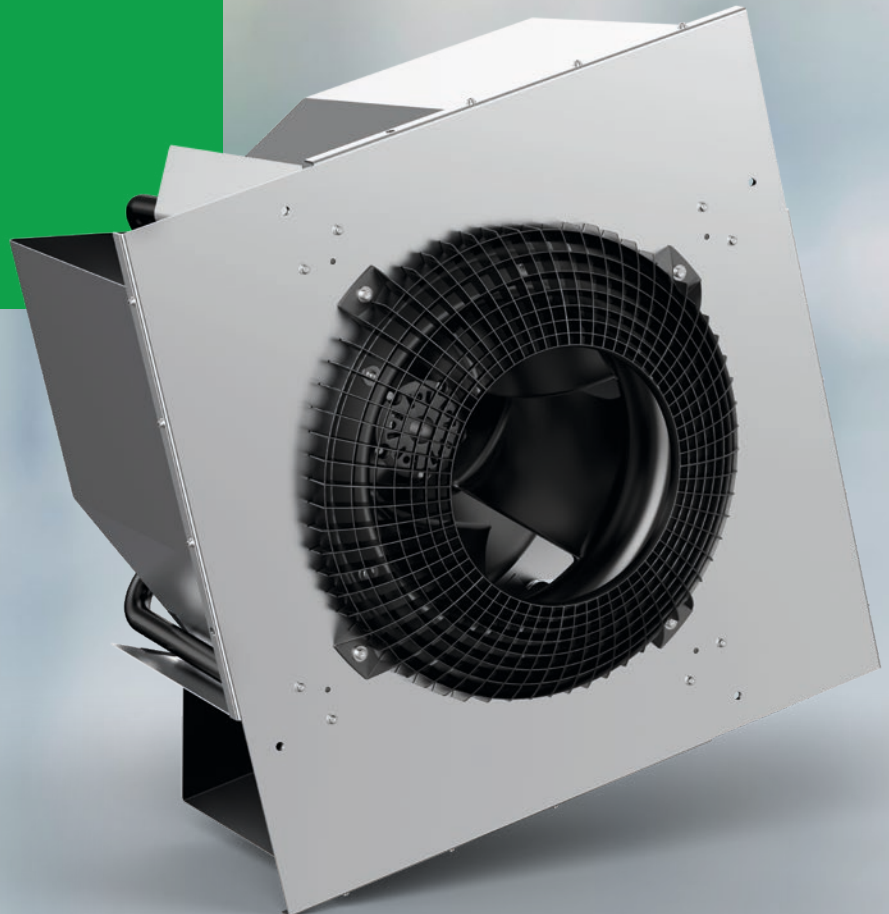
And how does it do this?

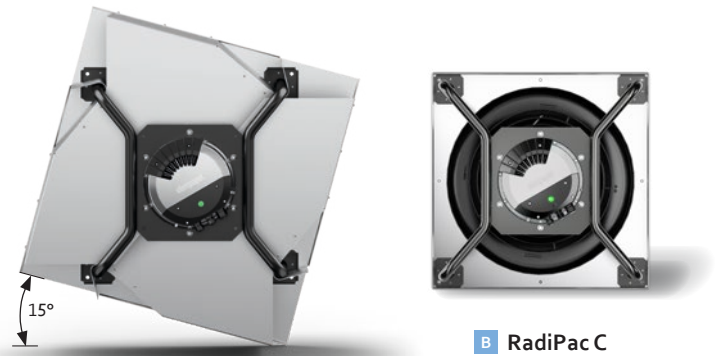
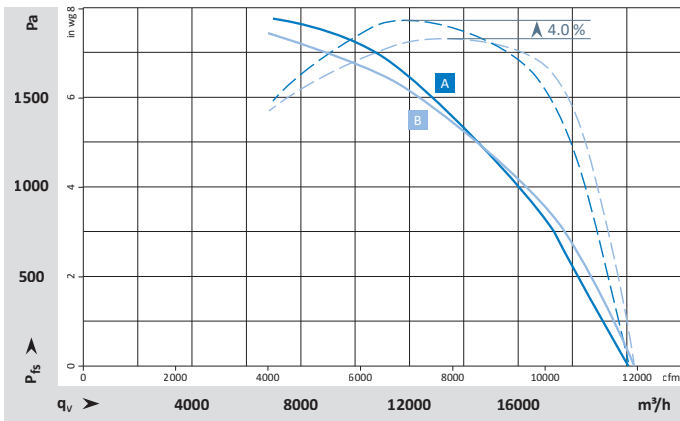
The enhancement is obvious even in purely visual terms: A special air guide module mounted on the outlet side reduces the discharge losses that occur with free-blowing fans. This enables the RadiPac C Perform to achieve a new benchmark in terms of efficiency.

More good news: The proven support bracket remains unchanged. This means that practically no design changes are necessary for installation in the application.

The RadiPac C Perform can also be combined with the FlowGrid air-inlet grill. This will provide you with a high-performance package which also sets standards in acoustics.

*Benchmark
in terms of
efficiency.*
**Standard
in terms of
dimensions.**





A RadiPac C Perform

B RadiPac C

Its performance speaks for itself.

Efficiency comparison of RadiPac C and RadiPac C Perform size 560: A significant increase in efficiency has been achieved over a wide performance range.



More about the *RadiPac*:



GreenIntelligence. Making Engineers Happy.

Here is how much GreenIntelligence is packed in the RadiPac C Perform:

- + Motor and ambient temperature monitoring
- + Precisely sets air flow and operating points
- + Control and monitoring with MODBUS RTU and/or 0–10 V/PWM
- + Fan as a sensor
- + Automatic status monitoring and resonance analysis
- + Warning and/or shutdown in the event of continuous imbalance

Why do our customers look so happy? Because when it comes to digitalization and sustainability, we provide them with a clear competitive edge with GreenIntelligence. The intelligent control and networking of fans and drives makes applications more powerful and efficient. Together with a long product life and highly efficient EC technology, we achieve lasting reductions in energy costs and emissions.

For industrial ventilation technology, solutions are in demand that ensure top performance and operational reliability in every situation. GreenIntelligence gives you robust fan solutions with intelligent networking capabilities that provide reliable performance data and extensive control and monitoring functions. They ensure high levels of efficiency and system availability while guaranteeing maximum data security.



Pablo improves the performance of his ventilation systems, even when they are already in operation.

Technical data

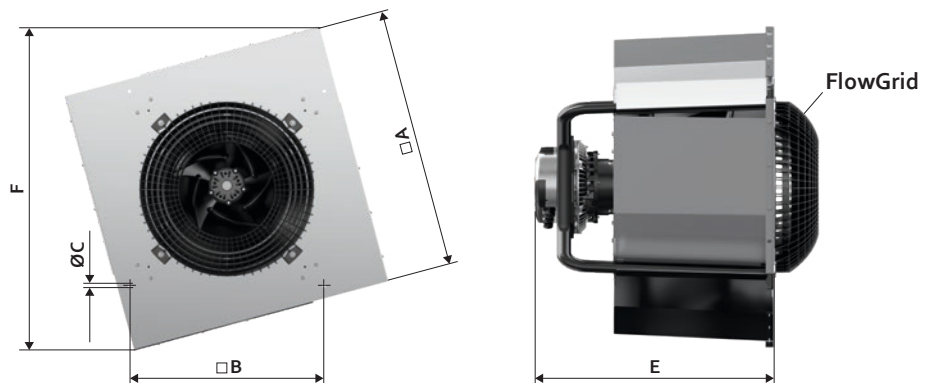
The RadiPac C Perform has exactly the same mounting hole pattern as the industry standard, making it easy to change over.

Technology

- GreenTech EC motors in nominal power range of up to approx. 8 kW
- Motor efficiency equivalent to IE5 (IECTS 60034-30-2:2016) without rare earths
- Electronics with configurable control interface for analog and digital signals
- Integrated resonance detection
- Locked rotor and thermal overload protection
- Suitable for use with 50 and 60 Hz networks

Design at its best

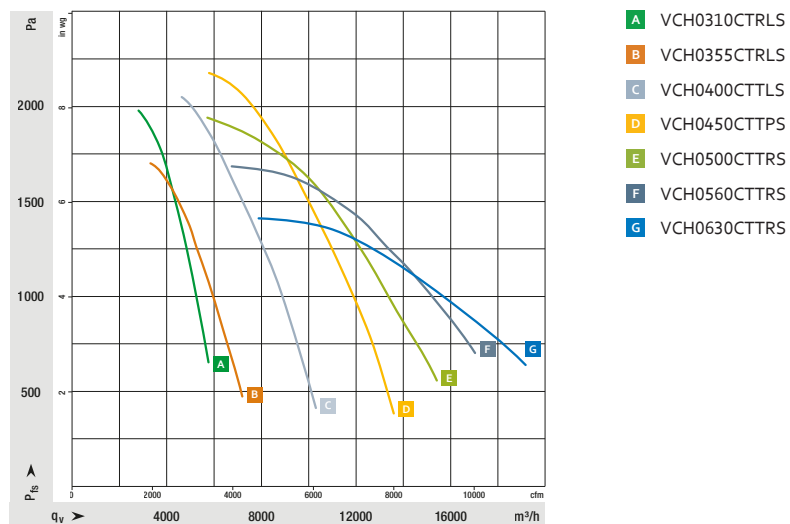
- Complete, ready-to-install system in sizes 310 to 630
- One-piece impeller made of high-strength, glass-fiber reinforced composite material with 5 backwards-curved, spatially twisted 3-D blades optimized for strength
- Support plate with unchanged mounting hole pattern and recesses for optimum flow outlet
- Air guide module mounted on the outlet side consisting of four aerodynamically shaped, sendzimir galvanized sheet steel segments



Size	A	B	ØC	E*	F	FlowGrid order number
310	454	340	11	380	554	25310-2-2957
355	552	400	11	396	674	00400-2-2957
400	616	450	11	445	752	00400-2-2957
450	700	510	11	493	855	35505-2-2957
500	735	540	11	550	898	35505-2-2957
560	900	660	11	571	1,100	50710-2-2957
630	1,040	740	11	601	1,272	00630-2-2957

* with no protrusion of the screws

All dimensions in mm. Data sheets available on request. No responsibility is accepted for the accuracy of this information.



Size	Type	Order number	Motor	Nominal voltage range	Frequency	Permissible ambient temperature	
				V AC	Hz	°C	
310	A	VCH0310CTRLS	8300100627	M3G112GA	3~ 380-480	50/60	-25...+40
355	B	VCH0355CTRLS	8300100628	M3G112GA	3~ 380-480	50/60	-25...+40
400	C	VCH0400CTTLS	8300100629	M3G150FF	3~ 380-480	50/60	-25...+40
450	D	VCH0450CTTPS	8300100630	M3G150IF	3~ 380-480	50/60	-25...+40
500	E	VCH0500CTTRS	8300100631	M3G150NA	3~ 380-480	50/60	-25...+40
560	F	VCH0560CTTRS	8300100632	M3G150NA	3~ 380-480	50/60	-25...+40
630	G	VCH0630CTTRS	8300100633	M3G150NA	3~ 380-480	50/60	-25...+40

Data sheets available on request. Subject to technical changes.