



Flowgrid

Ilmanohjain imupuolelle



Sopii RadiCal-puhaltimiin \varnothing 310, RadiPac-puhaltimiin \varnothing 310 sekä HyBlade-puhaltimiin \varnothing 250.

Tekniset tiedot

| | |
|-------------|-------------------------|
| Kuvaus | Ilmanohjain imupuolelle |
| Materiaali | Muovi |
| Tuotenumero | 25310-2-2957 |

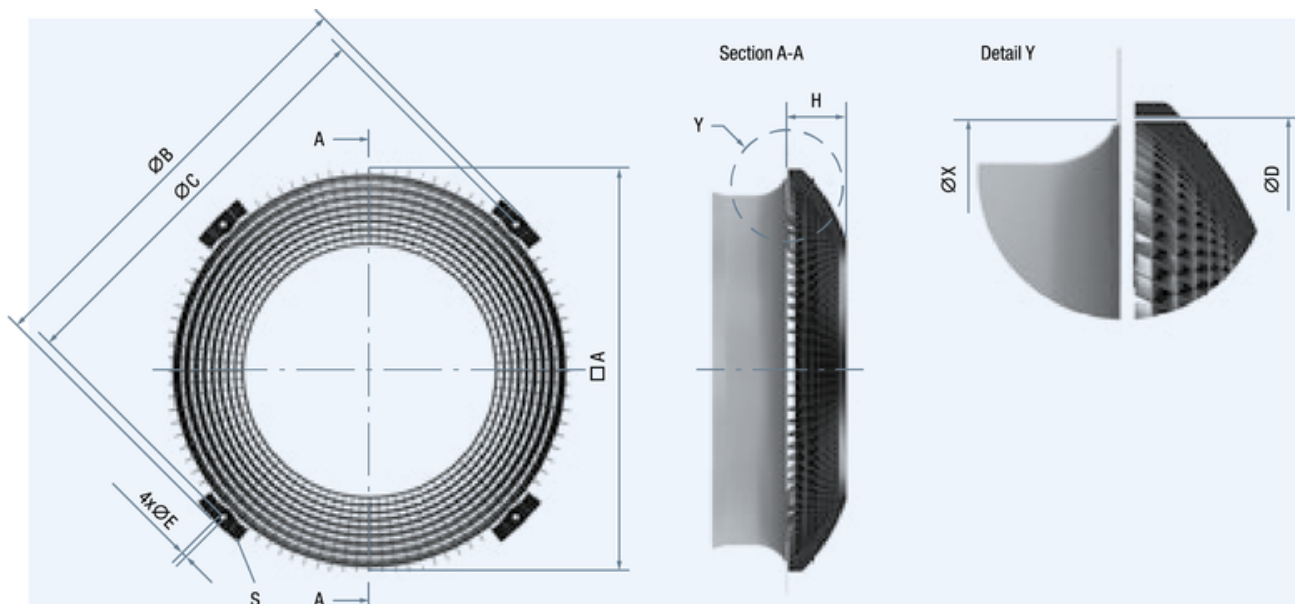
Katso päivitettyt tiedot netistä www.ebmpapst.fi



Flowgrid

Ilmanohjain imupuolelle

Piirros



| Item no. | RadiCal | RadiPac | HyBlade® | A | B | C | D | E | S | H |
|---------------|--------------------|---------------|--------------------|-------|-------|---------|-------|-----|-----|-----|
| 00190-2-2957* | 175, 190 | – | – | – | 170 | 155–160 | 150 | 4.5 | 2.0 | 30 |
| 00250-2-2957* | 220, 225, 250 | – | – | – | 205 | 193 | 187 | 4.5 | 2.0 | 38 |
| 20280-2-2957 | 220, 225, 250, 280 | 280 | 200 | – | 275 | 245–260 | 245 | 4.5 | 2.0 | 40 |
| 25310-2-2957 | 310 | 310 | 250 | – | 306 | 290 | 282 | 5.5 | 2.0 | 49 |
| 00400-2-2957 | 355, 400 | 355 | – | – | 350 | 335–345 | 325 | 5.5 | 2.5 | 60 |
| 35505-2-2957 | 450, 500 | 400, 450, 500 | 300, 315, 330, 350 | – | 465 | 440 | 412 | 10 | 2.5 | 71 |
| 00630-2-2957 | 560, 630 | 560, 630 | 400 | – | 565 | 545 | 532 | 10 | 3.0 | 90 |
| 50710-2-2957 | – | 710 | 450, 500 | 590 | 666 | 630 | 580 | 10 | 3.0 | 106 |
| 63000-2-2957 | – | 800 | 560, 630 | 734 | 785 | 750 | 724 | 10 | 3.0 | 125 |
| 80000-2-2957 | – | 900 | 710, 800 | 930 | 995 | 960 | 920 | 10 | 3.5 | 131 |
| 91000-2-2957 | – | – | 910 | 1,035 | 1,105 | 1,075 | 1,025 | 10 | 3.5 | 161 |

A: Minimum installation dimension
 B: Outer diameter
 C: Pitch circle diameter
 D: Reference diameter for matching with the nozzle
 E: Hole diameter
 S: Thickness of fixing attachment
 H: Installation height

X: Nozzle diameter at bent outer end

*FlowGrid is completely enclosed and works as a guard grille

The reference diameter must be at least equal to the nozzle diameter at the bent outer end ($D \geq X$)

All dimensions in mm



Flowgrid

Ilmanohjain imupuolelle

Yhteystiedot

ebm-papst Oy

Puistotie 1

02760 Espoo

Puh. (09) 8870 220

Fax (09) 8870 2213

mailbox@ebmpapst.fi

www.ebmpapst.fi